



ULEDPLUS EXAMINATION LIGHT

ULEDPlus shares the same reliable ULED design but gives you approximately 30% more bright light output. See more with an impressive 50,000+ lux @ 1 metre.

Like ULED, ULEDPlus has an ingenious floating spring arm, enabling intuitive and perfect light positioning. It comes complete with a fully sealed and touch sensitive membrane switch, making cleaning easy and its push-to-release button to detach the light head from the arm makes upgrade or maintenance possible without a technician.



TOUCH MEMBRANE SWITCH

STAY SAFE

ULEDPlus' touch membrane switch gives quick access to ON/OFF and 4 stage dimming control. And with its easy-wipe and IP65-rated head, superior infection control has never been easier.

DESIGNED AND MADE IN AUSTRALIA



ULEDPlus is the proud result of over 50 years of Australian research and

development in medial lighting. ULEDPlus is designed and manufactured entirely in Australia and built to conform to and exceed rigorous Australian standards and testing.

A LIGHT FOR PEACE OF MIND

We stand behind our design and manufacturing process with an industry leading 5 year warranty.



PRODUCT HIGHLIGHTS

- Powerful and cool-to-touch LED light
- High visibility: High CRI; and 4000K plus Cyanosis Compliant
- Low power consumption at only 20 Watts Total
- Low-profile, Easy-clean head with ON/OFF, dimming control, plus push-to-release for easy removal and maintenance
- Affordable, retrofit kit option* for easy upgrade to ULEDPlus
- Durable all metal construction

*Available with equivalent existing Planet Lighting fittings only

ULEDPLUS EXAMINATION LIGHT



APPLICATIONS

- Surgeries
- First Aid Stations
- Intensive Care
- Recovery Rooms
- Emergency Departments
- Diagnostic Specialisations
- Aged Care
- General Practice



CEILING



WALL



EXT. WALL



TWIN



TROLLEY



50KLX LUX 1M



20 WATTS



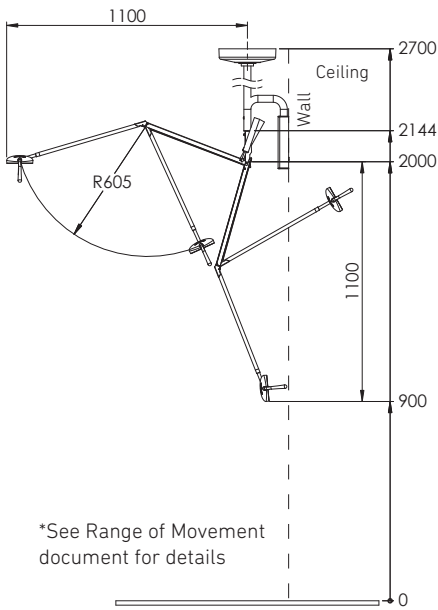
95+ CRI



4000K CCT

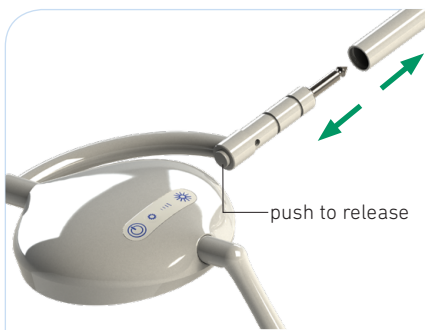


50000 L70



*See Range of Movement document for details

**RANGE OF MOVEMENT
STANDARD CEILING**



QUICK-RELEASE HEAD

ULEDPlus' unique push-to-release detachable head makes maintenance easy.

INTUITIVE CONTROL

ULEDPlus has an ergonomic and ultra-flexible arm action makes perfect positioning a breeze.

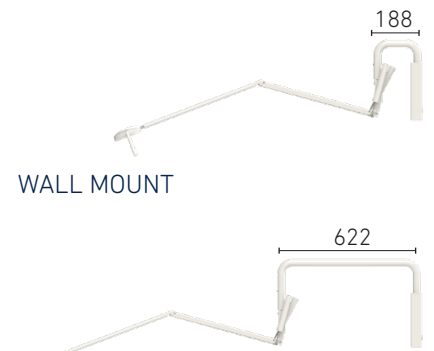
Ceiling mount with integral power supply and Continuous Rotation Device (CRD) head.



CEILING MOUNT

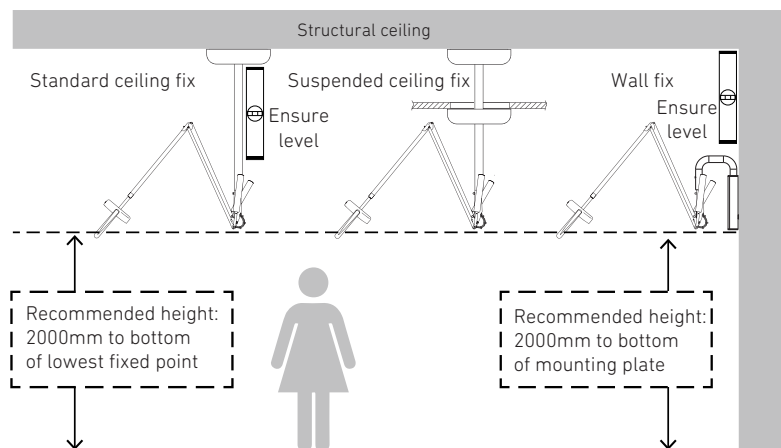


TROLLEY MOUNT



WALL MOUNT

EXTENDED WALL MOUNT



ULEDPLUS EXAMINATION LIGHT



Cardiac protection models available: Add "CP" to product code.

Example: ULEDPLUS-UC2700-CP

PRODUCT CODE	DESCRIPTION	POWER
ULEDPLUS-UC (or custom length: ULEDPLUS-UCXXXX)	Ceiling mount to suit a standard floor to ceiling fixing point of 2700mm, or specified custom mount length [XXXX]mm , with integral transformer	20W
ULEDPLUS-UW	Wall mount with integral transformer	20W
ULEDPLUS-UWEX	Wall mount with extended bracket and integral transformer	20W
ULEDPLUS-UTLY	Mobile trolley including integral transformer	20W